

INSTALLATION OF THE BIN TOP ADAPTOR FOR THE PLASTIC ICE DEFLECTOR ON IB-SERIES ICE BINS

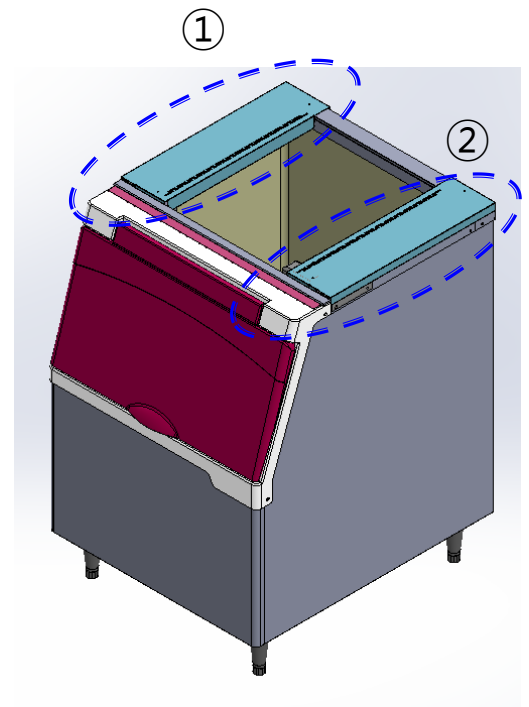
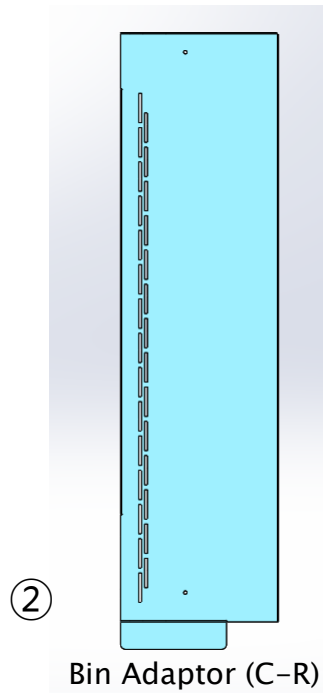
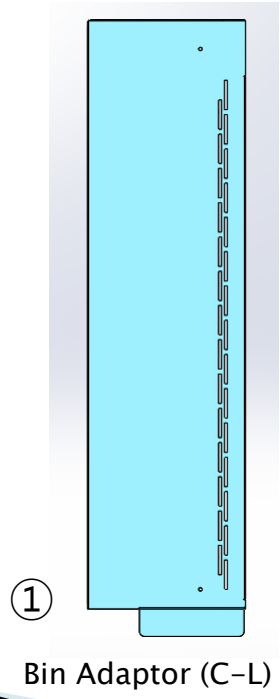


Installing the Bin Top Adaptor (IB-Series) - IBT-2230BV

Bin Adaptor Assembly Procedure

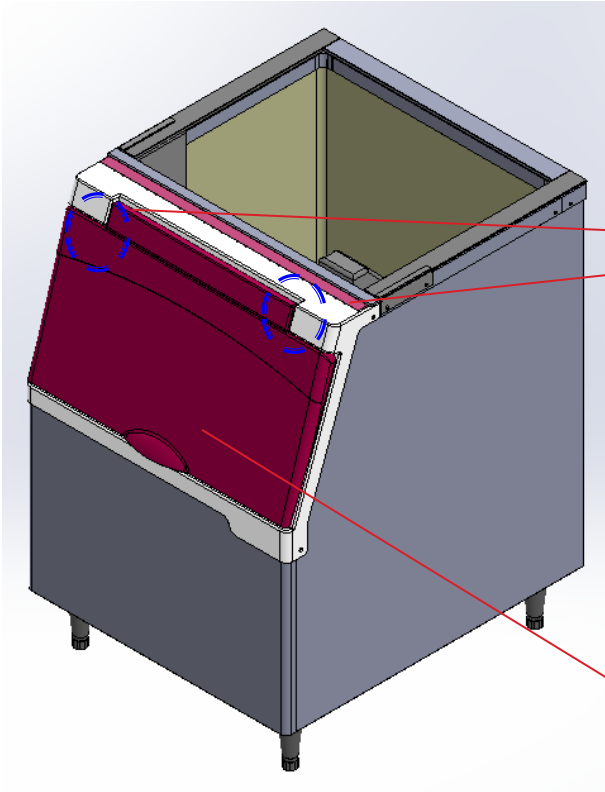
IBT-2230BV Kit Content

NO	PART NAME	Qty
1	Bin Adaptor (C-L)	1
2	Bin Adaptor (C-R)	1

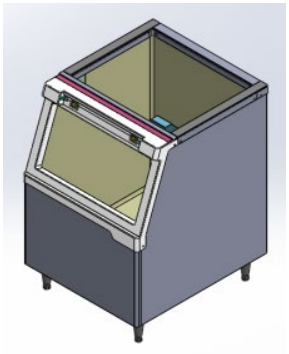
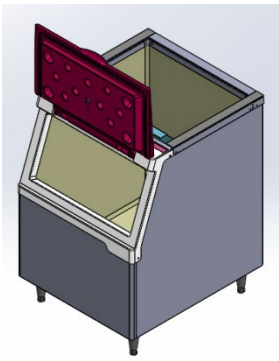


Installing the Bin Top Adaptor (IB-Series) - IBT-2230BV

- 1. Lift the BIN DOOR, then use a small Allen wrench to press in the spring-loaded pins on the left and right sides to release the door. The process is easiest when each side is released one at a time.

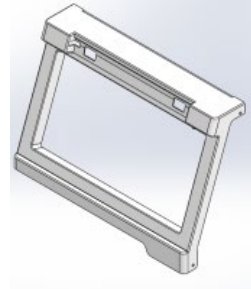
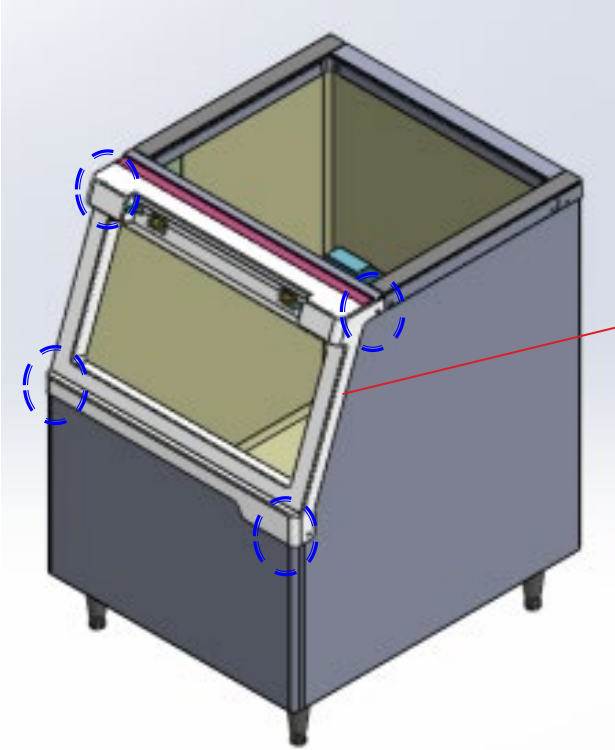


BIN DOOR

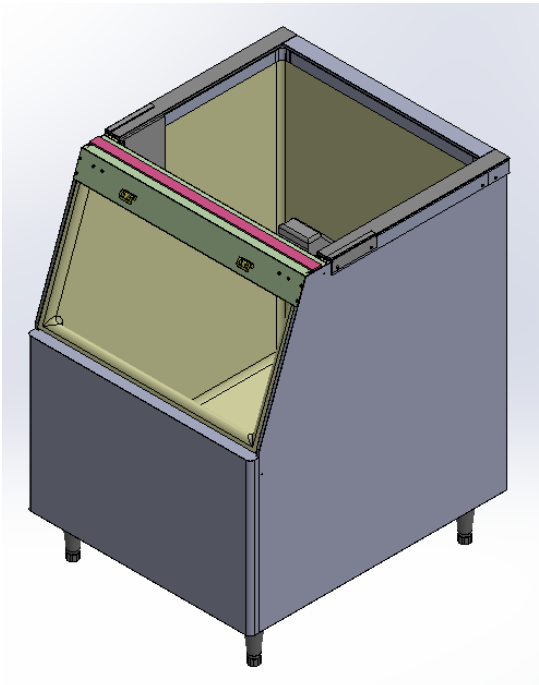


Installing the Bin Top Adaptor (IB-Series) - IBT-2230BV

2. Remove the 4 screws securing the DOOR FRAME to the bin and then pull forward on the frame to remove it.



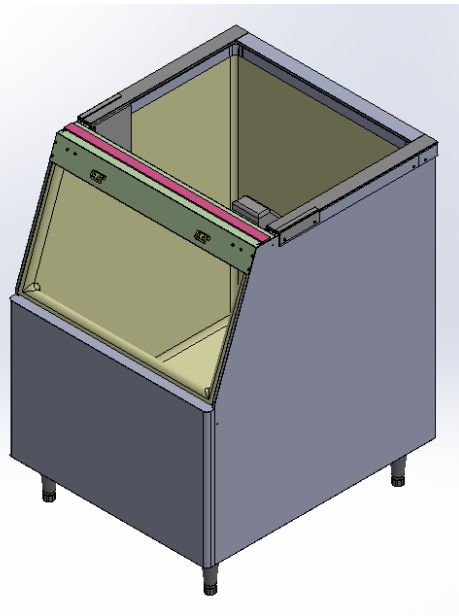
DOOR FRAME



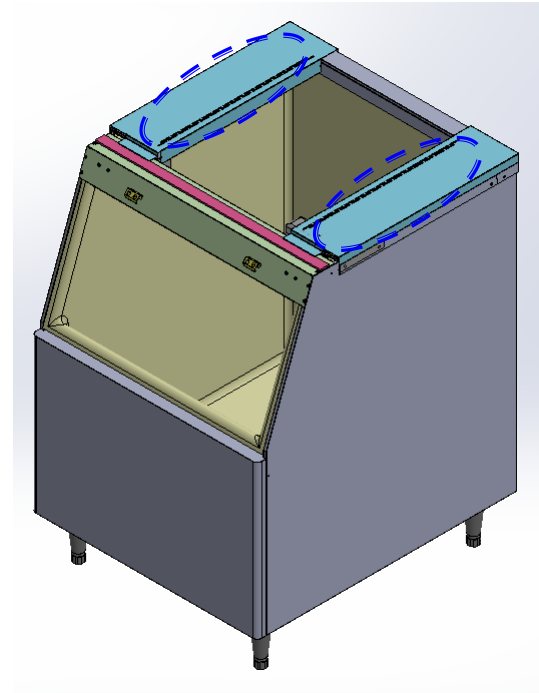
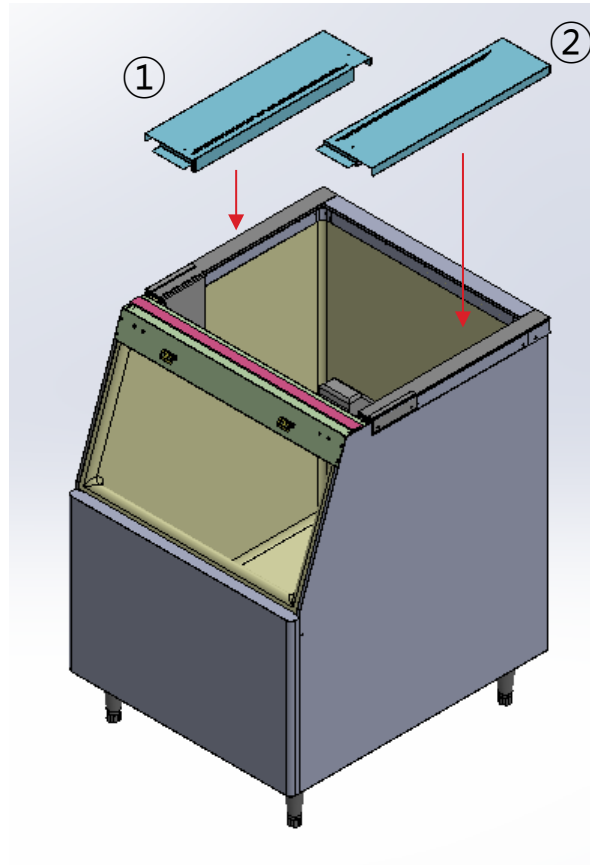
Installing the Bin Top Adaptor (IB-Series) - IBT-2230BV

3. Put the Bin Adaptor (C-L) & Bin Adaptor (C-R) on the BIN
(No securing screws)

Bin Adaptor (C-L)

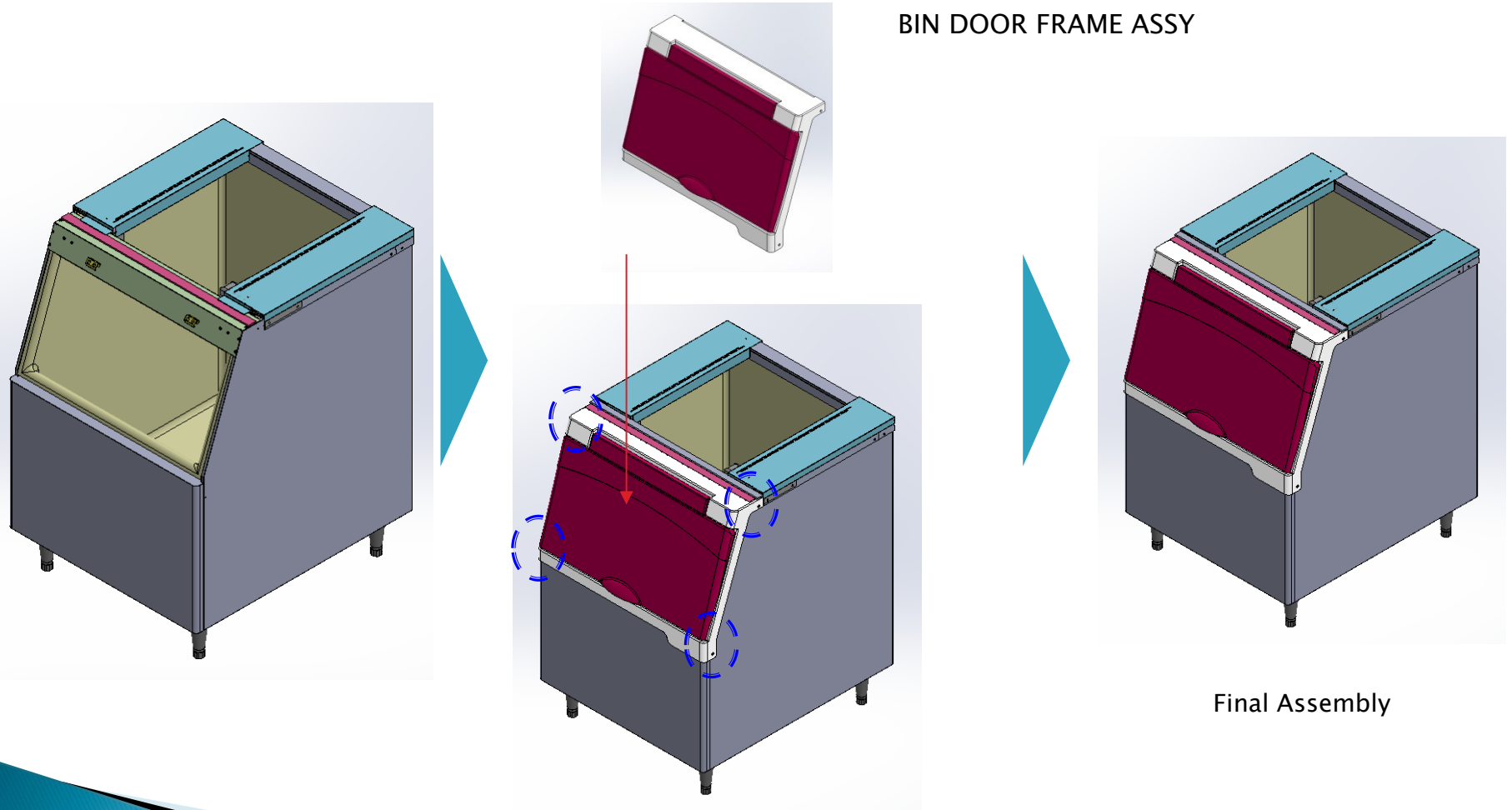


Bin Adaptor (C-R)



Installing the Bin Top Adaptor (IB-Series) - IBT-2230BV

4. Reinstall the BIN DOOR frame assembly, using 2 screws to secure each side. (4 screws total).



THANK YOU